

**UDYOGI** ®  
LIFE IS PRECIOUS

**ARC** ™  
KNIGHT PRO



**YOU FELT  
WE IMPLEMENTED**

**ARC KNIGHT PRO  
40 CAL/CM<sup>2</sup>**

**PPE CATEGORY 4**

« Producto Distribuido por Fagy Peru® »

[www.fagy.com.pe](http://www.fagy.com.pe) - [www.ventadeepps.com](http://www.ventadeepps.com)

**UDYOGI, ARC Knight Pro™** ARC Flash Protective solutions offers Utility, Industrial work and multi hazard protection. A smarter safety solution for the workers that protect against Arc Flash Hazards. Udyogi relies on its deep expertise, world class products and experience of over 4 decades to protect life and quality of life through delivering world-class safety solutions.

Introducing advanced high-tech, light weight, breathable, durable garments that meet all the compliance, standards and regulations to bring you the best possible value.



### AREA OF APPLICATION :

- Substation work
- Breaker room maintenance
- Electrical panel
- Energized equipment repair
- Plant shut downs
- Electric vehicles
- Underground applications
- Facility electrical work etc

### FEATURES :

WASHABLE	LIGHT WEIGHT	FLEXIBLE	DURABLE	BREATHABLE	IFR	SKIN FRIENDLY	QUALITY PRODUCT

# CERTIFICATIONS



ASTM 1506

Standard Performance Specification for Flame Resistant & Electric Arc Rated Protective Clothing worn by workers exposed to flames & Electric Arcs.



ASTM F2621

Standard Practice for determining Response characteristics & design Integrity of arc rated finished products in an electric arc exposure.



ASTM F1959

Test method used to calculate quantitative results (arc ratings) for FR fabrics. Arc ratings are a measure of thermal protection provided by the fabric in an arc flash.



ASTM F2178

Standard test method for determining the arc rating and standard specification for eye or face protective products.



EN 1149

Test method for materials to be used in the production of protective clothing (or gloves) with electrostatic dissipation for preventing incendiary discharge.



EN ISO 11612

Specifies performance requirements for protective clothing made from flexible materials, which are designed to protect the wearer's body, except the hands, from heat and/or flame.



IEC 61482

The overall standard that covers protective clothing against the thermal arc hazards of an electric arc.



70E

To protect personnel by reducing exposure to major electrical hazards. It helps to avoid workplace injuries and fatalities due to shock, electrocution, arc flash, and arc blast.



2112

An industry standard on flame resistant garments for protection of industrial personnel against flash fire.



The above mentioned goods meet the Human-Ecological requirements of the STANDARD 100 by Oeko-Tex presently in ANNEX 4 for products direct contact to skin.



Its major function is to certify the product to protect the world and provide a safer place for both workers and consumers.

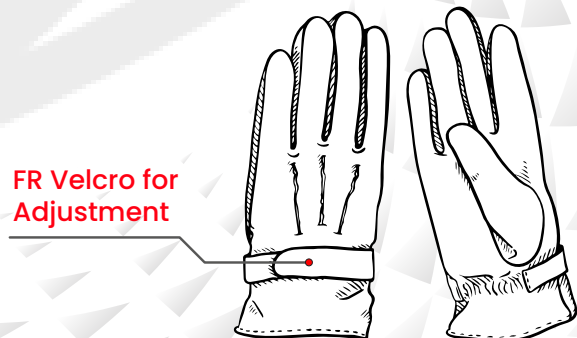
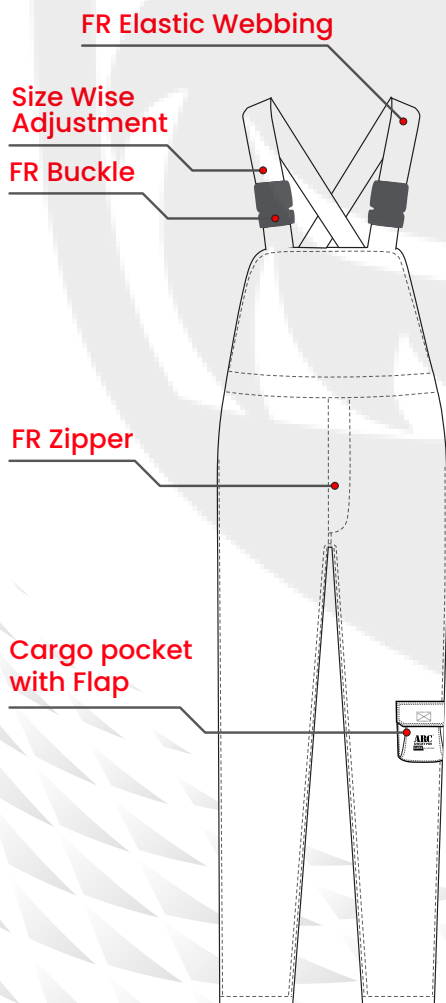
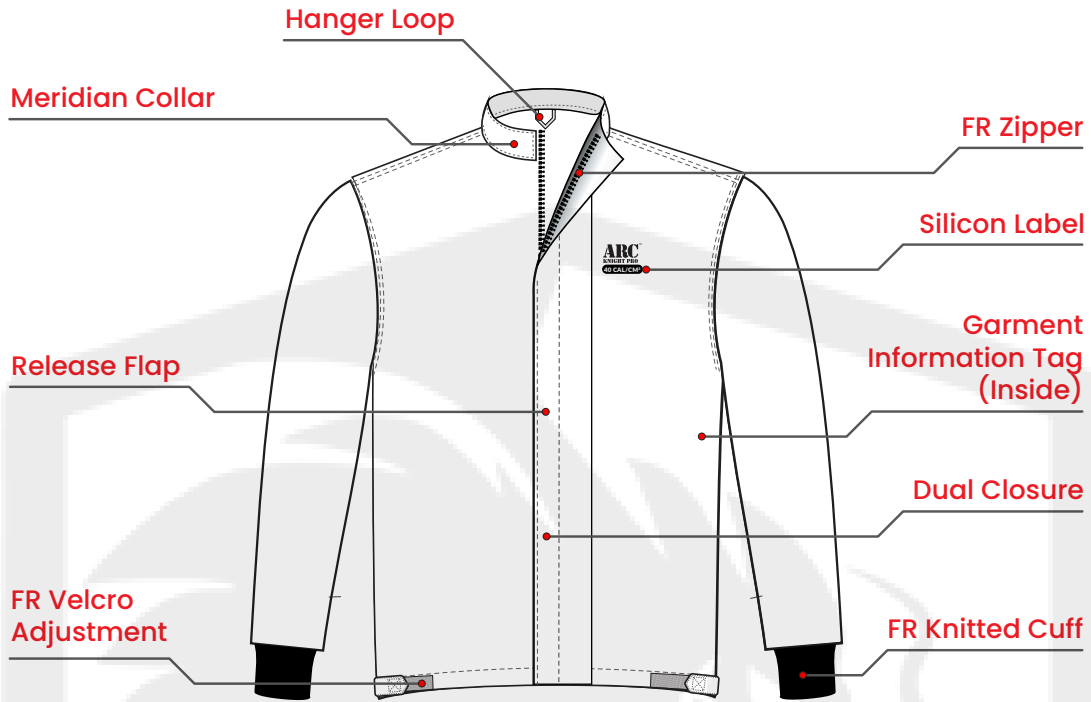


The flame manikin test system includes a stationary instrumented manikin and a burning chamber to produce a simulated fire environment with controllable heat flux, flame distribution, and exposure time.

« Producto Distribuido por Fagy Peru® »

[www.fagy.com.pe](http://www.fagy.com.pe) - [www.ventadeepps.com](http://www.ventadeepps.com)

# ARC KNIGHT PRO SUIT 40 cal/cm<sup>2</sup> COMPONENTS



« Producto Distribuido por Fagy Peru® »

[www.fagy.com.pe](http://www.fagy.com.pe) - [www.ventadeepps.com](http://www.ventadeepps.com)

## ADVANTAGES OF ARC KNIGHT PRO



- 100% Inherent Flame Retardant material
- Often present higher thermal protective performance (TPP) scores than treated fabrics
- Long service life
- FR properties will never wash out
- Garments will not ignite in normal O<sup>2</sup> concentrations
- The garments created with oxidized fibers to provide increased thermal resistance under continuous exposure to a thermal hazard
- Lightest 40 CAL (490 g/m<sup>2</sup>)
- More breathable & comfortable



Model :

1. AKP490NBH40I3 | 2. AKP490NBG40I3 | 3. AKP490NBK40I3 | 4. AKP490NBBC40I3

Kit Content :

Hood with integrated Visor, Bracket & Dielectric helmet | Arc Gloves | Jacket | BIB Overall



# HEAT ATTENUATION FACTOR 94%

**ACTUAL ATPV RATING 41 CAL/CM<sup>2</sup>**

**100%  
INHERENT**

**BREATHABLE & COMFORTABLE**

Shell : A blend of Modacrylic with  
Aramid, Nylon & Antistatic 240g/m<sup>2</sup>

Felt : Meta-  
aramid 120 g/m<sup>2</sup>

**QUILTED FABRIC**

Fabric : A blend of lenzing FR  
& Meta-aramid 130 g/m<sup>2</sup>

« Producto Distribuido por Fagy Peru® »

www.fagy.com.pe - www.ventadeepps.com

## GARMENT GUIDE

### ⚡ STORAGE

- May be stored in the dark for up to 1 year
- Do not store in direct / high heat or sunlight as this may distort
- Can be stored and transported in their original cartons at ambient temperature

### ⚡ PACKING : 1 set per kit

### ⚡ AVAILABLE COLOUR : Navy Blue ■

### ⚡ AVAILABLE SIZES : S, M, L, XL, XXL, XXXL



### **GARMENTS CARE :** *Launder this garment separately from non-flame resistant clothing*

- Wash dark and light colors separately Secure all closures before washing and drying
- Pretreated greasy stains
- Do not use fabric softeners or dryer sheets
- When using commercial industry aids, be sure to read & carefully follow manufacturer's instructions
- Removal of grease or oil stains may require dry cleaning
- Do not store or line-dry in sunlight

« Producto Distribuido por Fagy Peru® »

[www.fagy.com.pe](http://www.fagy.com.pe) - [www.ventadeepps.com](http://www.ventadeepps.com)

## GARMENT GUIDE



### WASHING INSTRUCTIONS :



Machine wash in water (maximum 140°F/ 60°C) with a commercially available detergent.



Do not use chlorine bleach or detergent containing chlorine bleach.



Lay flat or tumble dry.



Do not over-dry. Remove promptly.



Do not expose under the sunshine.

### RECOMMENDATIONS :

- It is responsibility of this garment's user to examine its condition before and after each use to be sure that it is suitable for us.
- Wash new garment before wearing to remove fabric processing aids and finishes.
- Do not wear damaged or contaminated garments.
- Do not wear flammable or meltable garments over this garment.
- For flash fire hazards, wear flame resistant undergarments.
- For electric arc hazard exposures, wear the proper arc rated garment system as dictated by an electric arc hazard analysis.
- Do not put on or take off the garment in a potentially explosive environment, proper grounding procedures must be used for potentially against electrostatic spark ignition.
- Garment should be loose fitting and provide adequate mobility for the intended use.
- All closures must be fully secured and sleeves and pant legs must extend to fully cover wrists and ankles.
- Shirts without a fully-elastic waistband must be tucked inside the waistband of pants.

### WARRANTY CLAUSE :

- UDYOGI is responsible to repair or replacing any product within a period of SIX months after shipment reached at its destination, in case of any material or manufacturing defects only.
- The life of arc knight pro kits are dependent on its type, environmental conditions, contamination and degradation of the product. The most important thing is the selection of the proper kit which is suitable for the hazard and environment. Also the life of the product depends on how it is being handled & whether the garments care have been followed or not.



Scan for more info

« Producto Distribuido por Fagy Peru® »

[www.fagy.com.pe](http://www.fagy.com.pe) - [www.ventadeepps.com](http://www.ventadeepps.com)

**UDYOGI**®  
LIFE IS PRECIOUS