

PENTA

C0071

Ultra light helmet for all climbing activities.

CE
EN 12492 UIAA



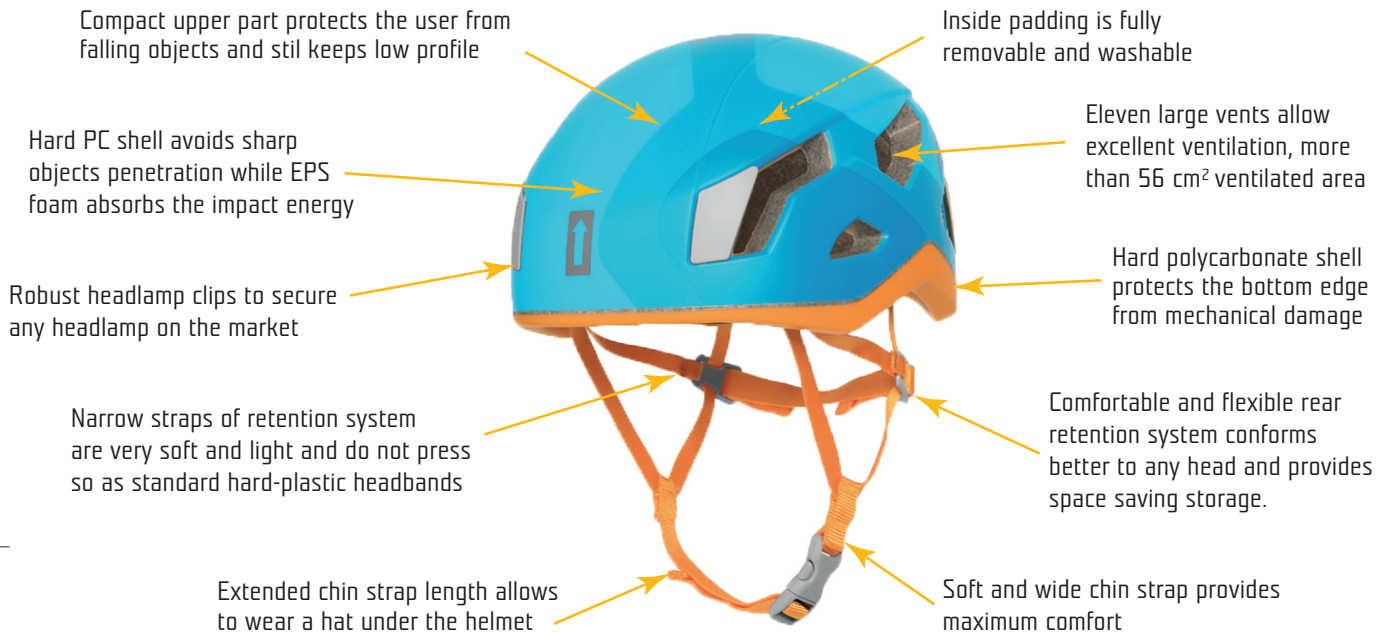
Azure: C0071AA00
Red: C0071RR00
Gray: C0071SS00
White: C0071WW00



Reading and understanding instruction for use are required to use this product!

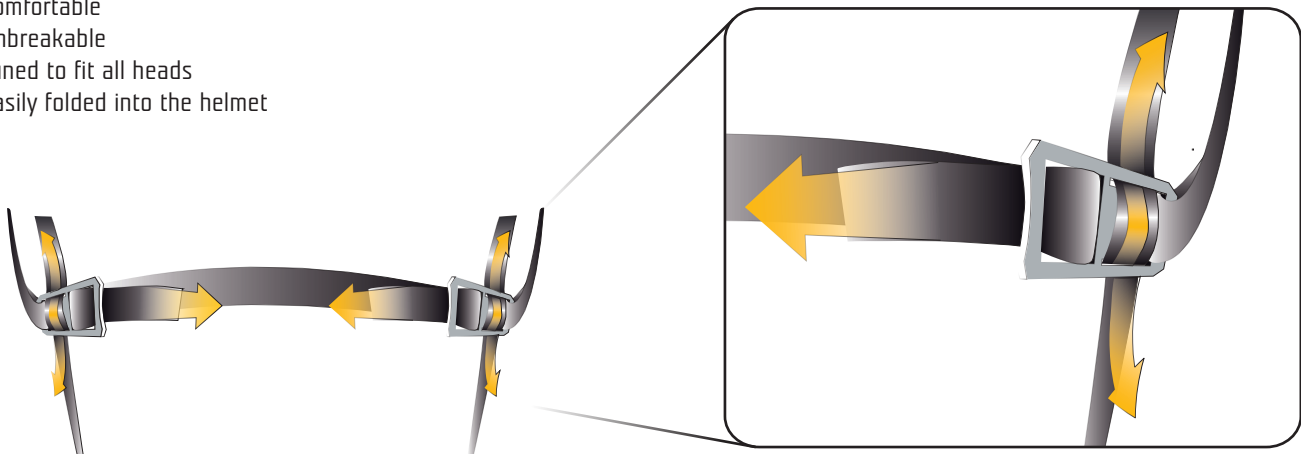
Shell Material		PC
Foam Material		PS
Retention System		PA
Weight		205 g 7.23 oz
Size		51 - 60 cm

Description: Penta is extremely lightweight, super-comfortable and fully ventilated climbing helmet. All this combined with a maximum head protection. For its comfort and lightweight design is ideal for use in sport climbing, mountaineering traditional climbing or via ferrata.



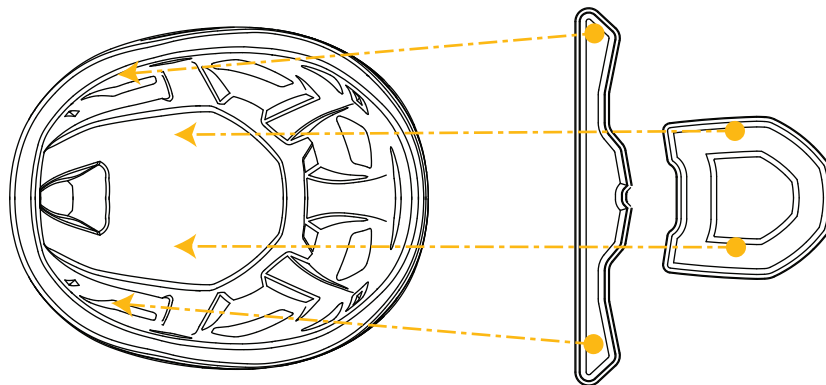
Retention system: Without any uncomfortable hard-plastic parts

- Extremely lightweight
- Comfortable
- Unbreakable
- Tuned to fit all heads
- Easily folded into the helmet

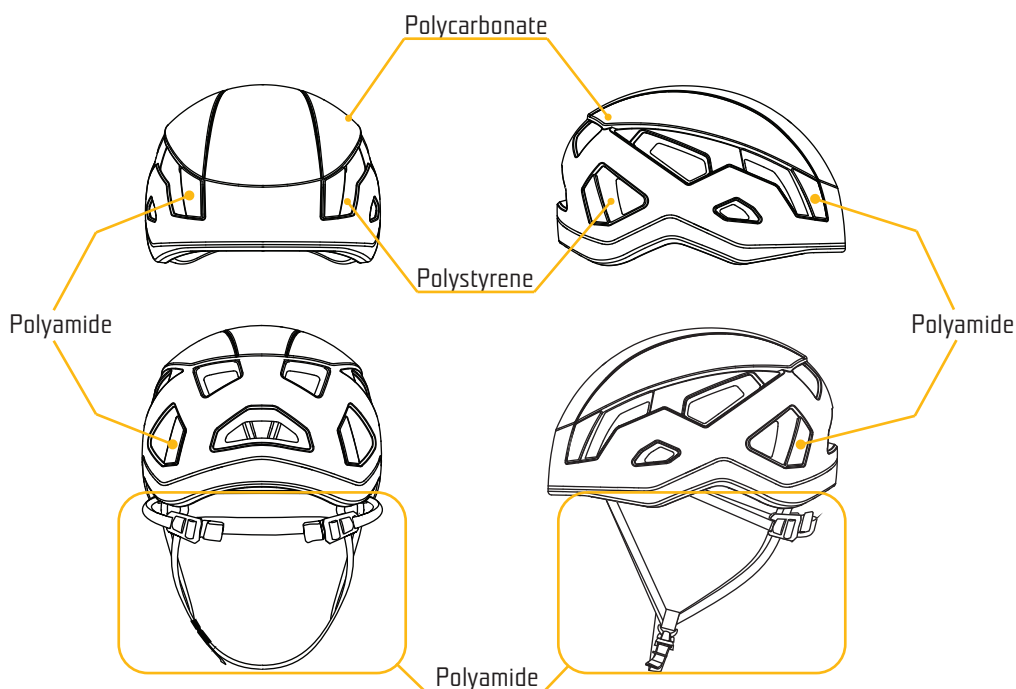


Properties:

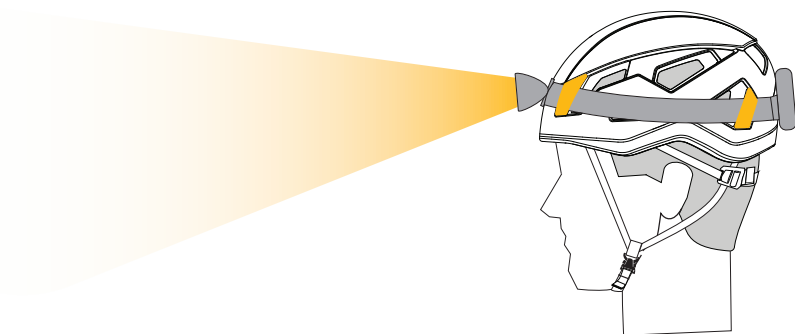
- Comfortable
- Lightweight
- Very well ventilated
- Easily adjustable
- One universal size
- Four color options
- Removable and washable padding



Materials:



Compatibility: with any headlamp



Maintenance:

This helmet is designed to absorb part of impact energy by deforming the shell. This deformation can be invisible, that is why we recommend producer's inspection of the product and possibly replace the product if necessary. This helmet was tested at temperatures -20°C – +30°C.

